



ATMIYA UNIVERSITY

Established under the Gujarat Private University Act 11, 2018)

Yogidham Gurukul, Kalawad Road, Rajkot - 360005, Gujarat (INDIA)

Project Report
On
“News Application”

Under subject of
MAJOR PROJECT

B.Tech, Semester – VIII
(Department of Information Technology)

Submitted by:

1. Nimbark Smit R.

190004026

Prof. Piyush Kashiyan

(Faculty Guide)

Prof. Darshan Jani

(Head of the Department)

Academic Year

(2023-24)



ATMIYA UNIVERSITY

(Established under the Gujarat Private University Act II, 2018)

Yogidham Gurukul, Kalawad Road, Rajkot - 360005, Gujarat (INDIA)

CANDIDATE'S DECLARATION

We hereby declare that the work presented in this project entitled “**News Application**” submitted towards completion of project in 8th **Semester** of B. Tech. (Information Technology) is an authentic record of our original work carried out under the guidance of “**Prof. Piyush Kashiyani**”.

We have not submitted the matter embodied in this project for the award of any other degree.

Semester: 8th

Place: Atmiya University, Rajkot

Signature:

Nimbark Smit R. (190004026)



ATMIYA UNIVERSITY

(Established under the Gujarat Private University Act II, 2018)

Yogidham Gurukul, Kalawad Road, Rajkot - 360005, Gujarat (INDIA)

CERTIFICATE

Date: 05/04/2023

This is to certify that the “**News Application**” has been carried out by **Nimbark Smit R.** under my guidance in fulfillment of the subject Major Project in Information Technology (8th Semester) of Atmiya University, Rajkot during the academic year 2023-24.

Prof. Piyush Kashiyani

(Project Guide)

Prof. Darshan Jani

(Head of the Department)



ATMIYA UNIVERSITY

(Established under the Gujarat Private University Act 11, 2018)

Yogidham Gurukul, Kalawad Road, Rajkot - 360005, Gujarat (INDIA)

ACKNOWLEDGEMENT

We have taken many efforts in this project. However, it would not have been possible without the kind support and help of many individuals and organizations. We would like to extend our sincere thanks to all of them.

We are highly indebted to **Prof. Piyush Kashiyan** for their guidance and constant supervision as well as for providing necessary information regarding the Major Project titled “**News Application**”. We would like to express our gratitude towards staff members of Information Technology Department, Atmiya University for their kind co- operation and encouragement which helped us in completion of this project.

We even thank and appreciate to our colleague in developing the project and people who have willingly helped us out with their abilities.

Nimbark Smit R. (190004026)

ABSTRACT

Our technology is keep growing day by day and we all are using our wireless device for connecting with the world and know all information and what is going on in the world, and for that we are using our smart phones or laptops or computers to keep gaining knowledge, so this application provide you relative information that we can say news through android application.

INDEX

1. Introduction of Project	1
2. List of Figures.....	3
3. Back ground.....	11
4. Software requirement.....	12
5. Output.....	13
6. Conclusion.....	15
7. Reference.....	16

INTRODUCTION

1. Introduction of Project

- It is News application which use for knowing about news in daily life.
- User can have access of news read them without doing log in in application.
- It is very simple application where user know about different kind news.
- In this application we are using Retrofit API which help us connect application to servers, which holds data of all kind of news.

- **Technology and Tools**

- ⇒ Java

- ✓ **Java** is a high-level, class-based, object-oriented programming language that is designed to have as few implementation dependencies as possible. It is a [general-purpose](#) programming language intended to let [programmers](#) *write once, run anywhere* ([WORA](#)), meaning that [compiled](#) Java code can run on all platforms that support Java without the need to recompile. Java applications are typically compiled to [bytecode](#) that can run on any [Java virtual machine](#) (JVM) regardless of the underlying [computer architecture](#). The [syntax](#) of Java is similar to [C](#) and [C++](#), but has fewer [low-level](#) facilities than either of them. The Java runtime provides dynamic capabilities (such as [reflection](#) and runtime code modification) that are typically not available in traditional compiled languages. As of 2019, Java was one of the most [popular programming languages in use](#) according to [GitHub](#), particularly for [client-server web applications](#), with a reported 9 million developers.

- ✓

- ⇒ Android Studio

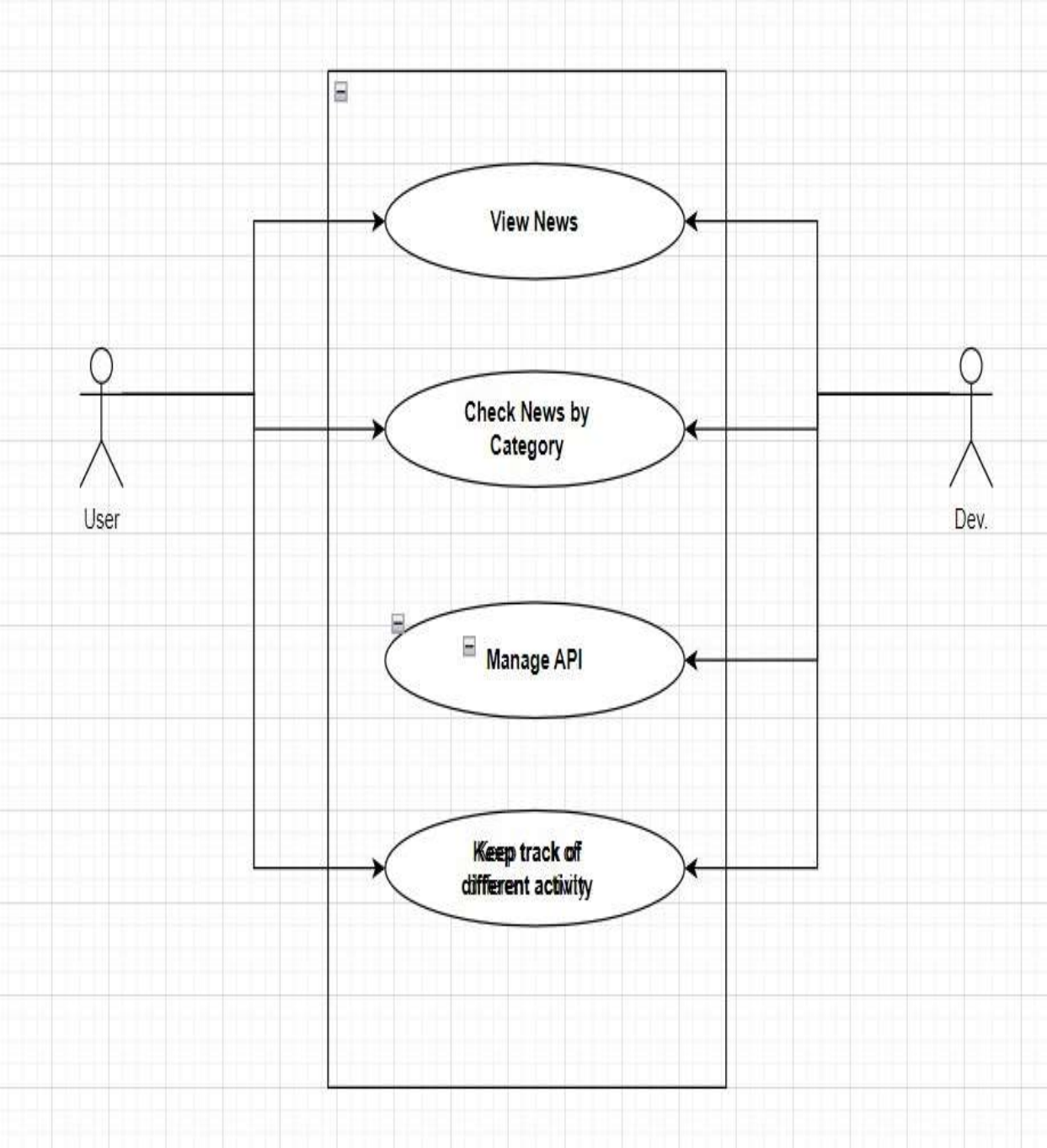
- ✓ **Android Studio** is the official [integrated development environment](#) (IDE) for [Google's Android operating system](#), built on [JetBrains' IntelliJ IDEA](#) software and designed specifically for [Android development](#). It is available for download on [Windows](#), [macOS](#) and [Linux](#) based operating systems. It is a replacement for the [Eclipse Android Development Tools](#) (E-ADT) as the primary IDE for native Android application development.

- ⇒ XML

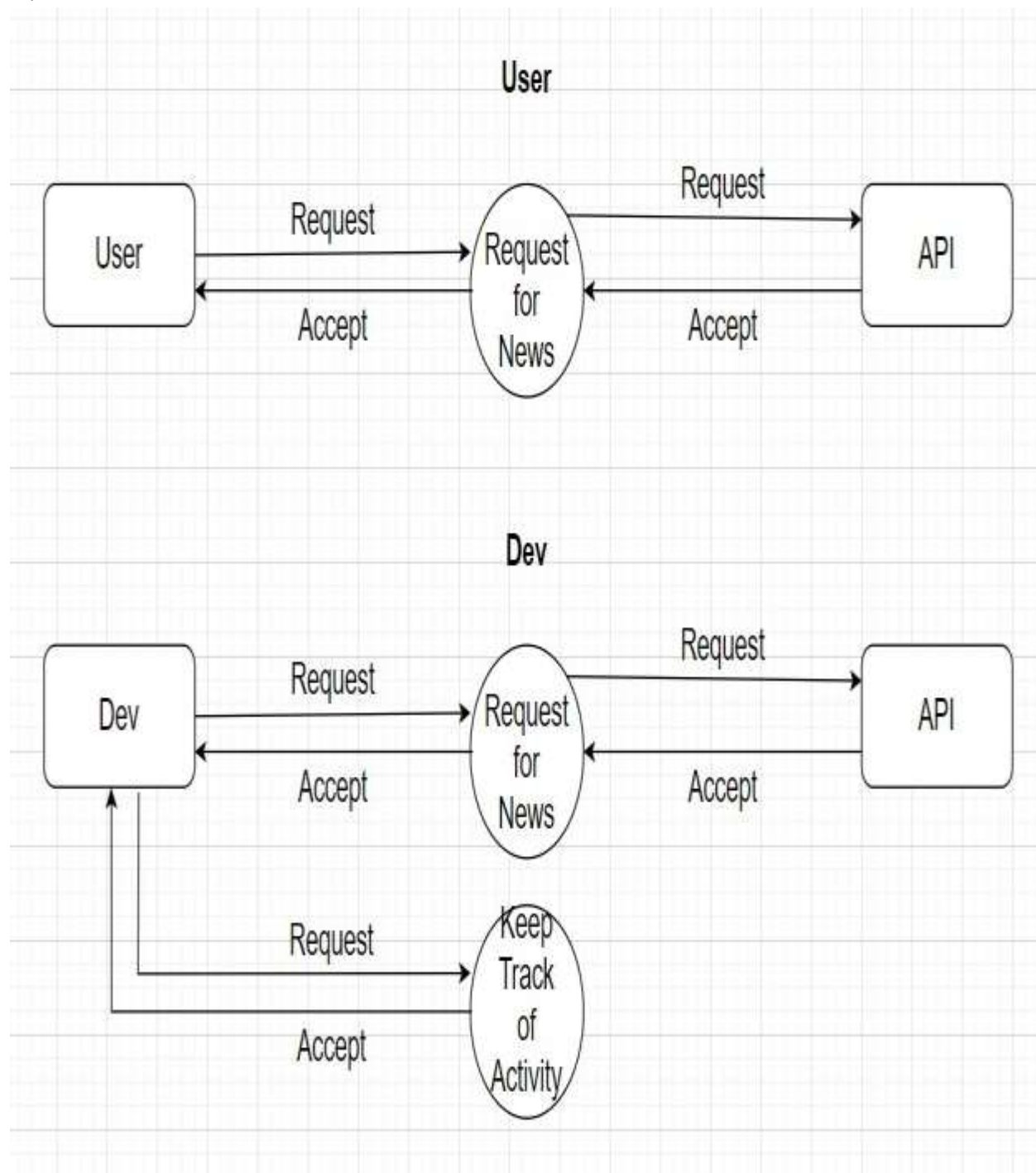
- ✓ **Extensible Markup Language (XML)** is a [markup language](#) and [file format](#) for storing, transmitting, and reconstructing arbitrary data. It defines a set of rules for encoding [documents](#) in a format that is both [human-readable](#) and [machine-readable](#). The [World Wide Web Consortium's](#) XML 1.0 Specification of 1998 and several other related specifications all of them free [open standards](#) define XML.

LIST OF FIGURES

1. Use case



2. DFD



BACKGROUND

1. BACKGROUND

- Ui design for Front End as .Xml format in Android platform
- Android Application Development
- Retrofit API for connecting Application and servers

2. STUDIES

- Ui design
- Retrofit API
- Connecting different classes and methods
- Moving from one page to other

3. Challenges

- Working in Android Studio
- Understanding Retrofit API
- Understanding Retrofit API works
- Friendly UI design

Software Requirements

1. Software configuration

This app is created in Android studio by help of Java as back end and .xml file for front end.

2. Hard configuration

Minimum requirement

Android version: 5 or above

Ram: 1 GB

Rom: 1 GB

Output





Conclusion

1. Conclusion

This application will help people who want to know about ongoing different events and many more things in present day.

2. Future scope of development

This application will have feature in which user can search a news which they want.

Reference

- <https://www.geeksforgeeks.org>